



MATERIAL

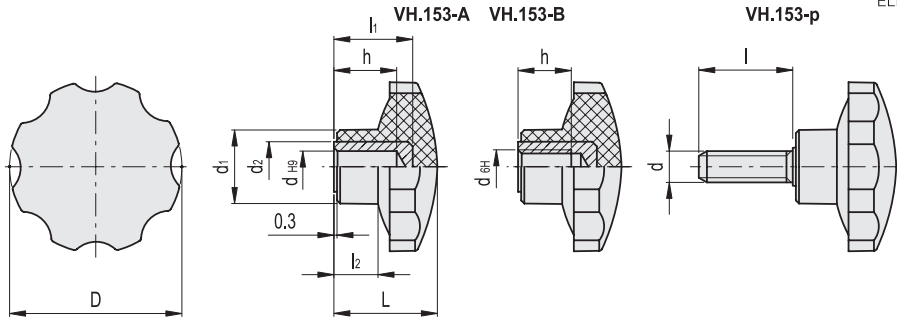
Phenolic based (PF) Duroplast handle, black colour, glossy finish.

STANDARD EXECUTIONS

- **VH.153-A:** black-oxide steel boss, plain blind hole.
- **VH.153-B:** brass boss, plain or threaded blind hole.
- **VH.153-p:** zinc-plated steel threaded stud, chamfered flat end according to UNI 947 : ISO 4753 (see Technical data on page A-11).



ELESA Original design



VH.153-A

METRIC

Code	Description	D	dH9	L	d1	d2	l1	l2	h	△
73302	VH.153/54 A-8	54	8	32	24	15	25	13	20	68
73303	VH.153/54 A-10	54	10	32	24	16	25	13	21	65
73402	VH.153/62 A-10	62	10	35	24	16	25	13	21	85
73501	VH.153/74 A-8	72	8	46	32	20	35	21	26	177
73601	VH.153/85 A-8	85	8	49	32	20	35	21	26	223

VH.153-B

Code	Description	D	d6H	dH9	L	d1	d2	l1	l2	h	△
73001	VH.153/25 B-4	25	-	4	18	15	11	14	9	11	15
73021	VH.153/25 B-M4	25	M4	-	18	15	-	-	9	10	10
73031	VH.153/25 B-M5	25	M5	-	18	15	-	-	9	10	10
73101	VH.153/35 B-6	35	-	6	22	19	12	17	10	14	25
73121	VH.153/35 B-8	35	-	8	22	19	12	18	10	14	33
73131	VH.153/35 B-M6	35	M6	-	22	19	-	-	10	12	19
73141	VH.153/35 B-M8	35	M8	-	22	19	-	-	10	13	22
73201	VH.153/44 B-6	44	-	6	26	19	12	17	10	14	35
73221	VH.153/44 B-8	44	-	8	26	19	12	18	10	14	33
73231	VH.153/44 B-M6	44	M6	-	26	19	-	-	10	12	29
73241	VH.153/44 B-M8	44	M8	-	26	19	-	-	10	13	31
73311	VH.153/54 B-6	54	-	6	32	24	15	23	13	18	69
73331	VH.153/54 B-M8	54	M8	-	32	24	-	-	13	13	53
73341	VH.153/54 B-M10	54	M10	-	32	24	-	-	13	17	55
73411	VH.153/62 B-8	62	-	8	35	24	15	25	13	20	85
73431	VH.153/62 B-M10	62	M10	-	35	24	-	-	13	17	80
73521	VH.153/74 B-M12	72	M12	-	46	32	-	-	21	20	132
73621	VH.153/85 B-M14	85	M14	-	49	32	-	-	21	20	184

VH.153-p

METRIC

Code	Description	D	d6g	L	d1	l	l2	△
73041	VH.153/25 p-M6x20	25	M6	18	15	20	9	14
73151	VH.153/35 p-M6x16	35	M6	22	19	16	10	22
73161	VH.153/35 p-M8x16	35	M8	22	19	16	10	26
73162	VH.153/35 p-M8x25	35	M8	22	19	25	10	29
73163	VH.153/35 p-M8x35	35	M8	22	19	35	10	32
73251	VH.153/44 p-M8x20	44	M8	26	19	20	10	40
73252	VH.153/44 p-M8x25	44	M8	26	19	25	10	42
73253	VH.153/44 p-M8x30	44	M8	26	19	30	10	44
73254	VH.153/44 p-M8x40	44	M8	26	19	40	10	47
73255	VH.153/44 p-M8x50	44	M8	26	19	50	10	50
73261	VH.153/44 p-M10x25	44	M10	26	19	25	10	52
73262	VH.153/44 p-M10x30	44	M10	26	19	30	10	53
73263	VH.153/44 p-M10x50	44	M10	26	19	50	10	60
73351	VH.153/54 p-M10x30	54	M10	32	24	30	13	76
73441	VH.153/62 p-M10x40	62	M10	35	24	40	13	95
73451	VH.153/62 p-M12x30	62	M12	35	24	30	13	105
73531	VH.153/74 p-M12x50	72	M12	46	32	50	21	180

Conversion Table			
1 mm = 0.039 inch			
D			
mm	inch	mm	inch
25	0.98	62	2.44
35	1.38	72	2.83
44	1.73	85	3.35
54	2.13		